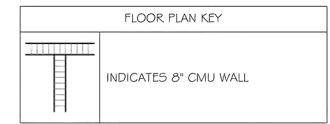
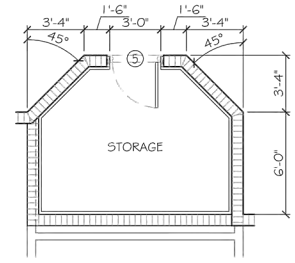


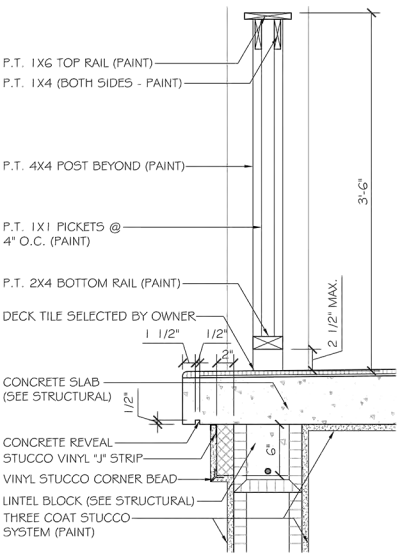
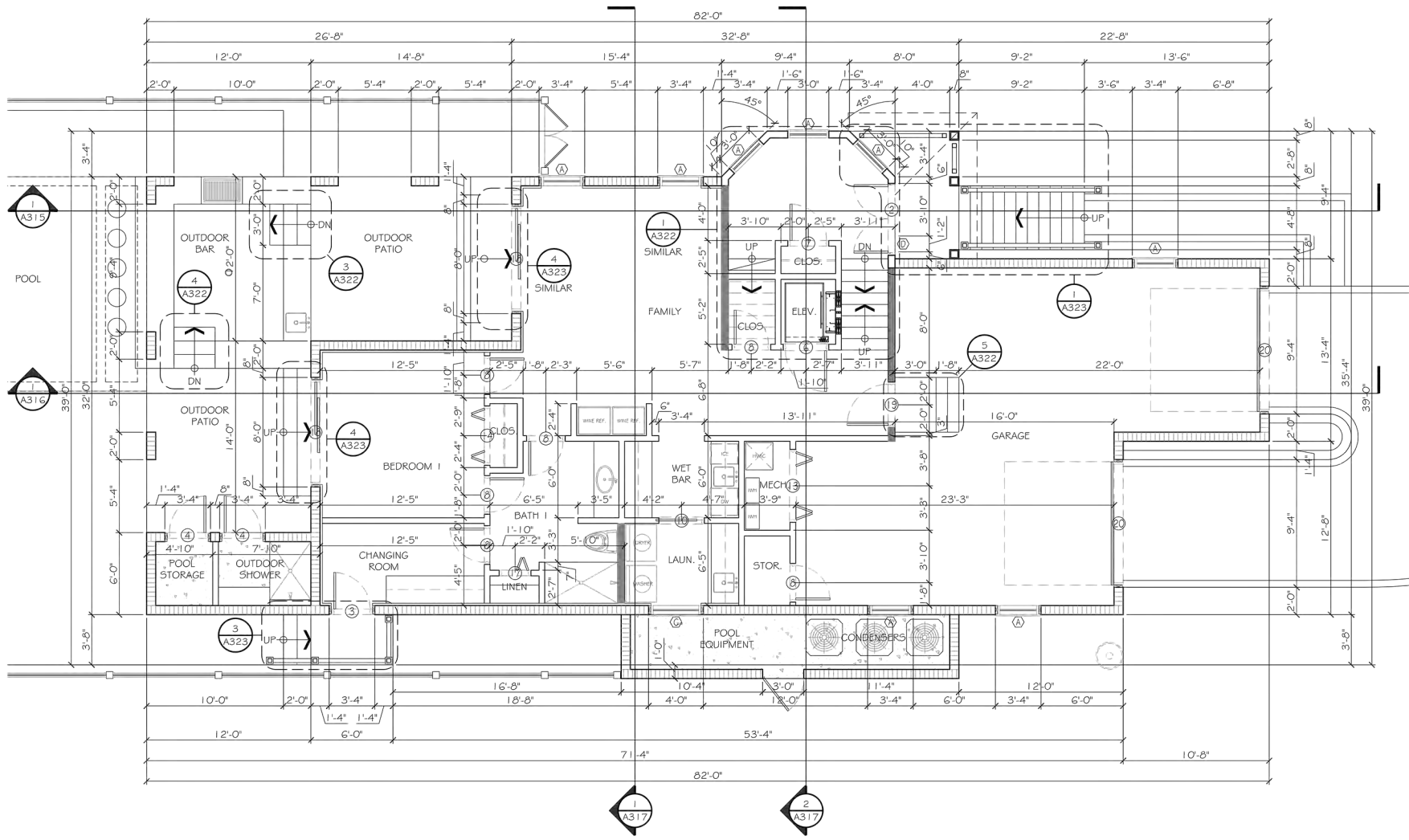
SUMMARY OF CONDITIONED SPACE:
 1ST FLOOR CONDITIONED SPACE = 993 S.F.



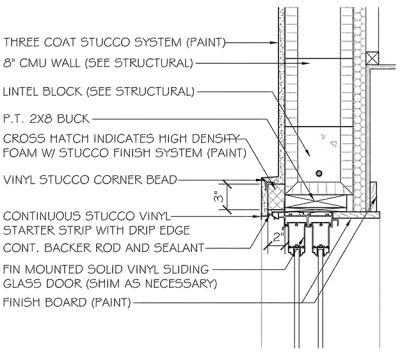
NOTES:
 1. ALL OTHER WALLS TO BE WOOD STUD WALLS.
 2. ALL DIMENSIONS ARE DIMENSIONED TO THE EDGE OF INTERIOR & EXTERIOR WALLS, EDGE OF CLEAR OPENING OF EXTERIOR DOORS & WINDOWS AND TO THE CENTER LINES OF ALL INTERIOR DOORS.
 3. SOLID HATCH ON INTERIOR WALLS INDICATES 2X6 STUD WALLS.



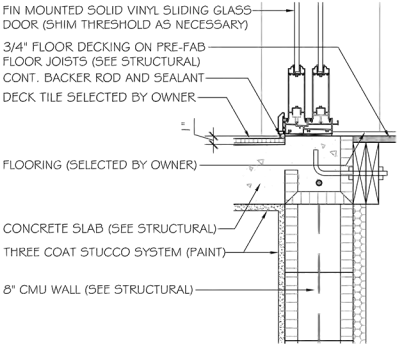
STORAGE ROOM FLOOR PLAN
 SCALE: 1/4" = 1'-0"



RAIL @ BALCONY DETAIL
 SCALE: 1-1/2" = 1'-0"



EXT. DOOR HEAD DETAIL
 SCALE: 1-1/2" = 1'-0"



EXT. DOOR @ SLAB DETAIL
 SCALE: 1-1/2" = 1'-0"

